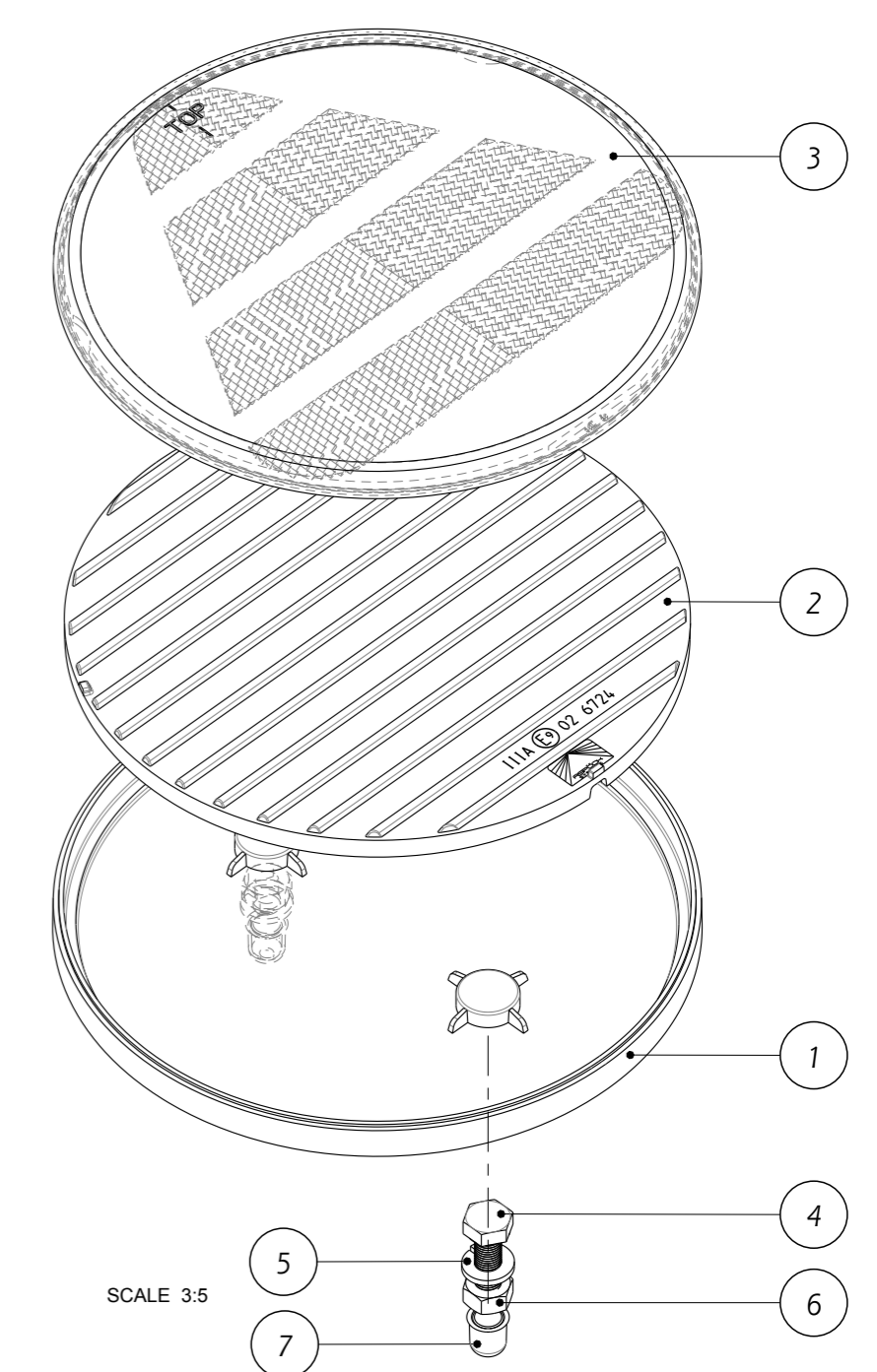
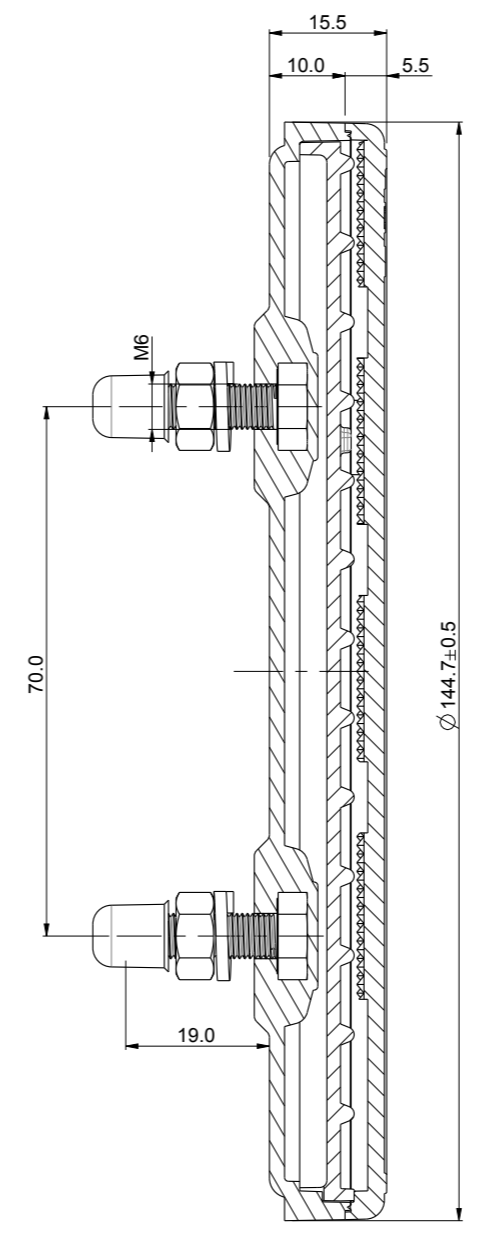
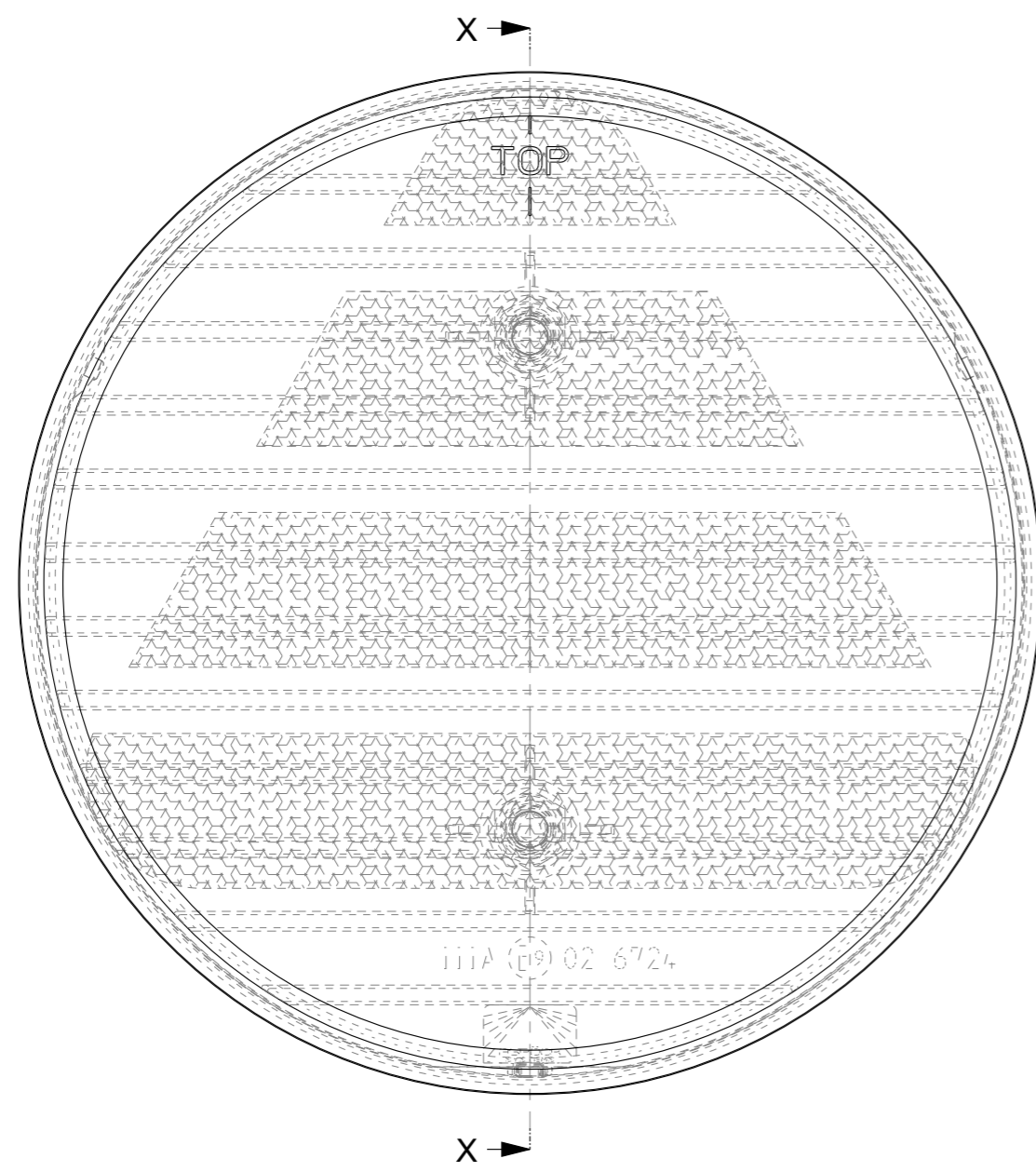


Level	Zone	ECI Nº.	Revision note	Date	Designed	Checked
02	2	2013.002.80147	Drawing part list update	2013/12/18	A.Costa	Carlos M.



Qty	Qty	Item	Designation	Part Number	Lev.	Material / Specifications
2	2	7	Screw Capsule M6	60043201	-	LDPE Black 0.2 g
2	2	6	Nut M6 (ISO 4032)	40819011	-	St.Steel
2	2	5	Pressure Washer D6 DIN 127	40823028	-	INOX - 1.0 g
2	2	4	Hex. screw M6x20 (ISO4017)	40811023	-	St.Steel
1	1	3	Lens Mod. Triangle	60540601	-	PMMA Red 49.7 g
1	1	2	Reflector Mod. Triangle	60540701	-	ABS Black 37.2 g
1	1	1	Housing Mod. Triangle	60540501	-	ABS Black 45.9 g

Qty	Qty	Item	Designation	Part Number	Lev.	Material / Specifications				
0112	0112	Designed by	A.Costa 2012/01/24	Checked by	C.Magalhães 2012/01/24	Approved by	C.Magalhães 2012/01/24	Weight	Tolerance	Scale
80147050	80147040	<b>ASPÖCK PORTUGAL S.A.</b> Rua do Paraíso - Zona Industrial de Rebordões Apartado 131 3721-908 Vila de Cucujães-O.de Azeméis Telef. +351 256 856 070 * Fax +351 256 856 079 E-mail: geral@aspoeck.pt			<b>Designation</b> Module Triangle Braspoint IV			Drawing Nº.	Level	Sheet
Part Number	Part Number							80147040	02	1 / 1
							Tooling Nº.			

**ASPÖCK**  
Design Engineering  
**APPROVED**