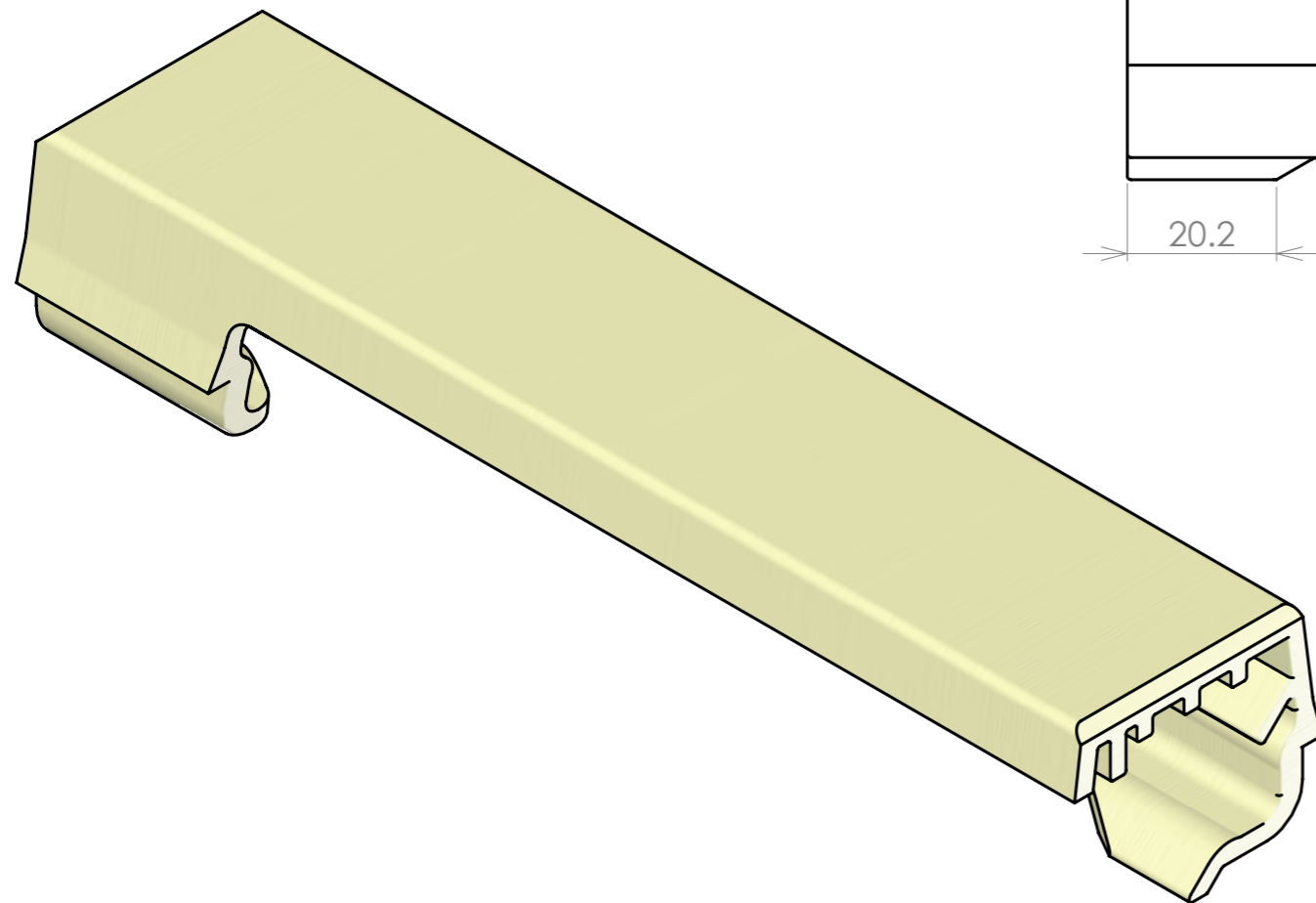
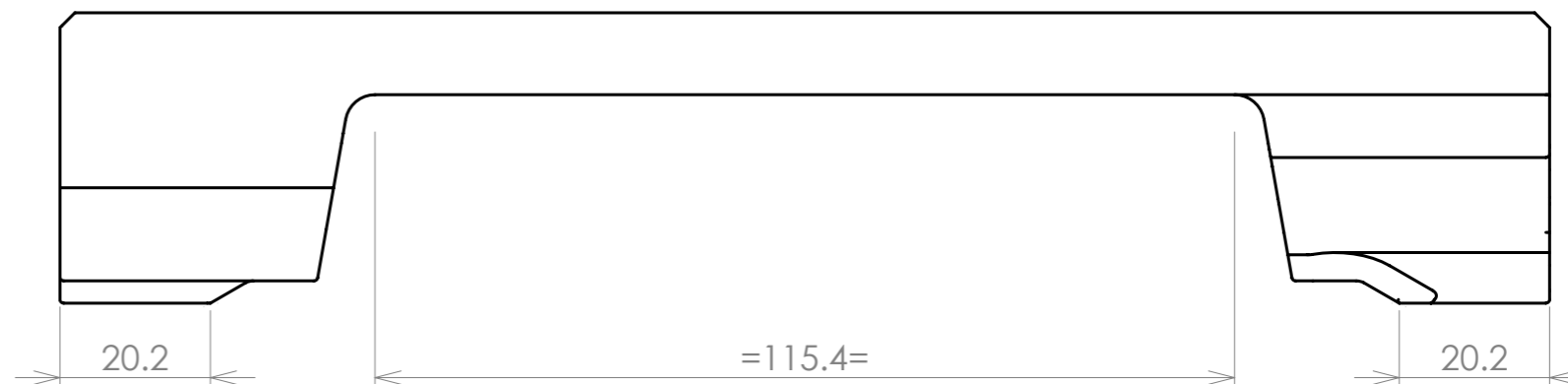
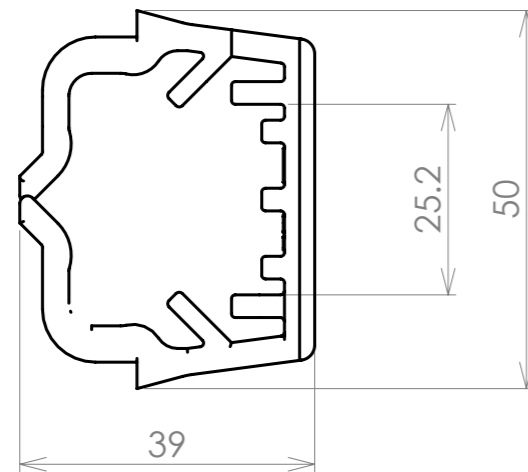


| REVISIONS |             |      |       |
|-----------|-------------|------|-------|
| REV.      | DESCRIPTION | DATE | DRAWN |



**Color: white**

|   |  |                            |  |
|---|--|----------------------------|--|
| TOLERANCES : ±0,5 mm.<br>UNLESS OTHERWISE STATED<br>- REMOVE SHARP EDGES -  | DIMENSIONAL TOLERANCES : NEN 2365<br>GEOMETRICAL TOLERANCES : NEN-ISO 1101<br>SURFACE ROUGHNESS : NEN 3634 | STATUS:<br><b>Released</b> | ART. NO.:                                |
| PROJECT:<br><b>Glider bearing</b>   |  | REVISION: 0+               |  |
| SUBJECT:<br><b>Cargo Kick Twister - 120mm crossmember</b>   |  | MATERIAL: HDPE             | DIMENSIONS IN MM                         |
|   |  | SCALE: 1:1                 | DATE: 20-08-2012                         |
|   |  | DRAWN: MP                  | SIZE: <b>A3</b>                          |
|   |  | PROJ.                      |  |
| <b>CARGO FLOOR</b> <sup>®</sup><br>Cargo Floor B.V.<br>P.O. Box 271<br>NL-7740 AG Coevorden<br>Phone : +31-524-593900<br>Fax : +31-524-593999<br>E-mail : info@cargo-floor.nl |  |                            | DRAWING NUMBER:<br><b>GB10002-CF-205</b> |

THIS DRAWING IS THE PROPERTY OF CARGO FLOOR b.v. AND MUST NOT BE COPIED OR REPRODUCED WITHOUT THEIR WRITTEN AUTHORITY